

Single Wall Vane

CONTACT

Office: 888.973.7600

1100 Ashwood Drive
Suite 1102
Canonsburg, PA 15317

www.clward.com

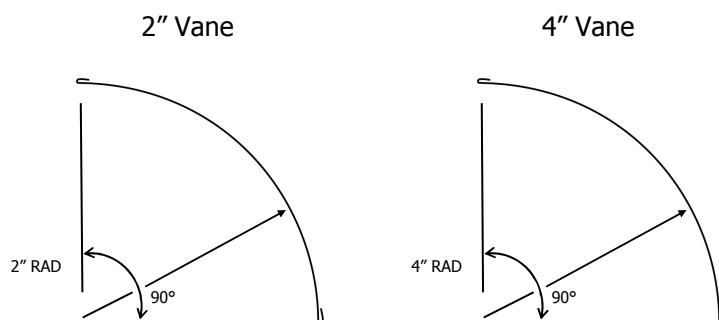
Detail

Single wall turning vane for directing air in duct elbows.

- Available in 2" and 4"
- Available in galvanized, stainless, and aluminum
- Vane conforms to SMACNA Standards
- Union made in the U.S.A.



Profile



Hem on each edge of the vane to add rigidity.

Packaging

Item Code	Item Description	Packaging	Weight
2VGA24SW	2" Vane - Single Wall	100 ft/bundle	22 lbs/bundle
4VGA22SW	4" Vane - Single Wall	100 ft/bundle	65 lbs/bundle