

Hang-Fast

CONTACT

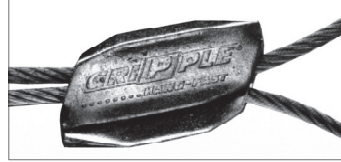
Office: 888.973.7600

1100 Ashwood Drive
Suite 1102
Canonsburg, PA 15317

www.clward.com

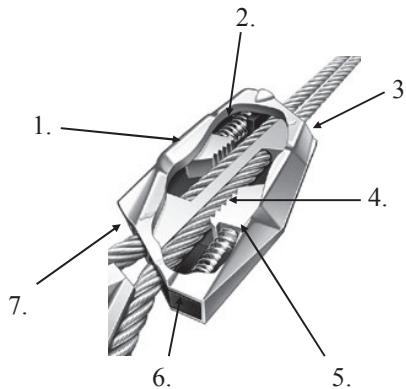
Detail

- No special tools required
- Meets all mechanical codes
- Dramatically reduces installation time
- Patented
- No welding required
- Available in a variety of sizes
- Independently tested and carries a safety factor of 5:1



Profile

1. **Zinc Housing**- Provides anti-corrosion properties with strength and consistent manufacturing quality.
2. **Stainless Springs**- Type 302 S26. One spring in each channel.
3. **Setting Key**- Entry hole.
4. **Serrated Teeth**- Enables a strong grip on the wire rope without sacrificing wire rope strength. Found in each wire rope channel.
5. **Locking Wedges**- Provides a locking type grip on the wire rope which only allows one way entry.
6. **End-Cap**- Plastic end-cap holds the spring in place.
7. **Setting Key** - Entry hole.



Packaging

Item Code	Description	Qty per Case
HF0105	#1 Hang-Fast 5 ft.	150
HF0110	#1 Hang-Fast 10ft.	100
HF0115	#1 Hang-Fast 15ft.	80
HF0130	#1 Hang-Fast 30ft.	50
HF0205	#2 Hang-Fast 5 ft.	100
HF0210	#2 Hang-Fast 10ft.	100
HF0215	#2 Hang-Fast 15ft.	100
HF0230	#2 Hang-Fast 30ft.	50
HF0305	#3 Hang-Fast 5 ft.	100
HF0310	#3 Hang-Fast 10ft.	50
HF0315	#3 Hang-Fast 15ft.	50
HF0330	#3 Hang-Fast 30ft.	25
HF0415	#4 Hang-Fast 15ft.	20
HF0430	#4 Hang-Fast 30ft.	10
HF0515	#5 Hang-Fast 15ft.	8
HF0530	#5 Hang-Fast 30ft.	6