

# Fire Damper - 77 Series, Type B

## Detail

- UL Classified - 1.5 Hour Rating, Dynamic
- For use in installations rated less than 3 hours
- Standard Profile (4 1/4") 22 gauge frame
- Type B - Blades out of the air stream
- Available for vertical and horizontal installations
- For installation in systems where fans remain running during fire and smoke control
- 165°F fusible link (optional 212°F)
- Available in stainless steel
- Vertical dampers are available in single-section sizes from 4" x 3" to 36" x 32"
- Horizontal dampers are available in single-section sizes from 4" x 3" to 24" x 21"
- Optional 22 gauge sleeve available: 8", 12", 17", 20" or 24"



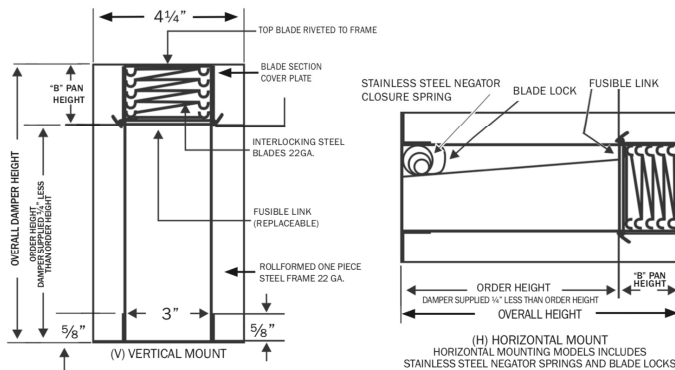
## CONTACT

Office: 888.973.7600

1100 Ashwood Drive  
Suite 1102  
Canonsburg, PA 15317

[www.clward.com](http://www.clward.com)

## Profile



This product meets the requirements for fire dampers established by:

**UL Standards 555**  
**NFPA Standard 90A**  
**ICC Building Codes**

## Item Code Format

|   |   |   |   |   |   |   |   |   |   |   |   |   |   |   |
|---|---|---|---|---|---|---|---|---|---|---|---|---|---|---|
| 7 | 7 | B | H | 0 | 1 | 2 | 0 | 1 | 2 | G | 2 | 2 | 1 | 2 |
|---|---|---|---|---|---|---|---|---|---|---|---|---|---|---|

SERIES:  
Fire Damper

75, 65, 05, 95, 77, 99, 61

TYPE:  
Fire Damper

A, B, C (round),  
R (rectangular), O (oval)

H = Horizontal  
V = Vertical

Damper Width

Damper Height

G = Galvanized  
165° Link  
H = Galvanized  
212° Link  
S = Stainless Steel  
165° Link  
T = Stainless Steel  
212° Link

Optional Sleeve  
22 = 22 Gauge

Sleeve Length  
08 = 8"  
12 = 12"  
17 = 17"  
20 = 20"  
24 = 24"



Manufactured by:



|            |  |
|------------|--|
| Job Name   |  |
| Location   |  |
| Architect  |  |
| Engineer   |  |
| Contractor |  |