

Moisture Drain

CONTACT

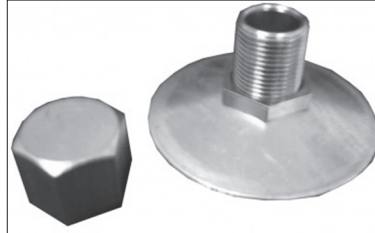
Office: 888.973.7600

1100 Ashwood Drive
Suite 1102
Canonsburg, PA 15317

www.clward.com

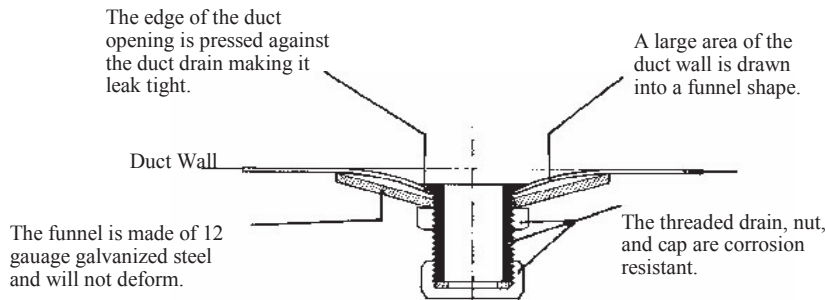
Detail

- Leak proof system
- Funnel is made of 12 gauge galvanized steel
- Threaded drain, nut, and cap are corrosion resistant



Profile

Moisture Drain	3/4"
Diameter of Pipe	3/4"
Diameter of Hole in Ductwall	1 1/16"
Diameter of Funnel	3 1/2"
Total Height Without Cap	1 1/2"



Packaging

Item Code	Item Description	Packaging	Weight
MD75	3/4" Moisture Drain	10 pcs/box	5.5 lbs/box
MDC75	3/4" Cap	10 pcs/box	.85 lbs/box