



Rectangular Duct Connectors

Quality Duct Connection Products: J-Connect and H-Connect

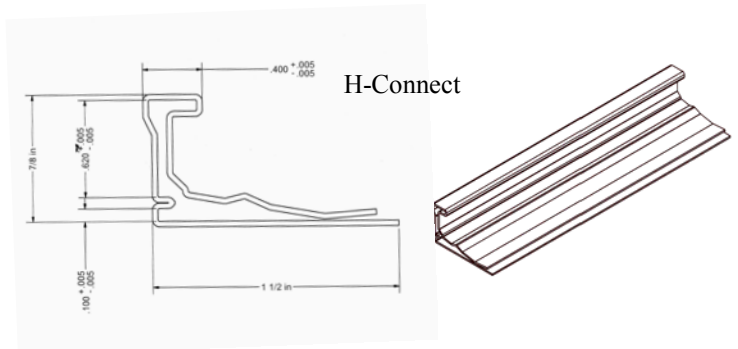
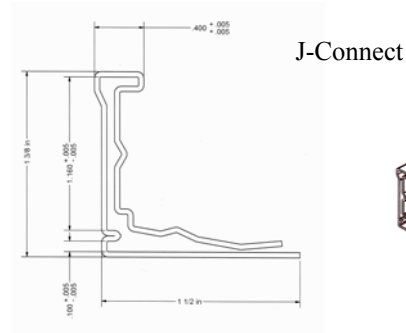
Specifications

J-Connect

- Designed for the largest and heaviest ductwork
- Roll formed from 20 gauge
- Available in galvanized, aluminized, galvaneal, aluminum, and stainless steel (304 and 316)
- 20' lengths to reduce waste
- Integrated sealant pocket for an airtight seal
- Labor saving components
- A SMACNA J rating

H-Connect

- Designed for a wide range of duct sizes and static pressures
- Roll formed from 22 gauge
- Available in galvanized, aluminized, and galvaneal
- 20' lengths to reduce waste
- Integrated sealant pocket for an airtight seal
- Labor saving components



Packaging

- J-Connect - 1,500' per bundle-1,100 lbs.
- H-Connect - 1,500' per bundle- 800 lbs.

Corners

J-Connect Corners

- Stamped from 11 gauge
- Supplied with nuts and bolts
- 200 corners per box - 60 lbs. per box

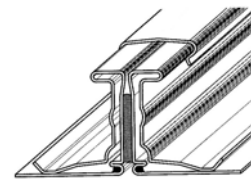
H-Connect Corners

- Stamped from 11 gauge
- Supplied with nuts and bolts
- 400 corners per box - 50 lbs. per box



J-Connect Corner

H-Connect Corner



Cleat

Cleat

Metal

- Roll formed from 20 gauge
- Designed for both J-Connect, H-Connect, and TDC

PVC

- Polyvinyl chloride (PVC) extrusion
- Designed for both J-Connect and H-Connect

W
C.L. WARD
& FAMILY INC.



1460 Delberts Drive
 Monongahela, PA 15063
 888.973.7600
 www.clward.com